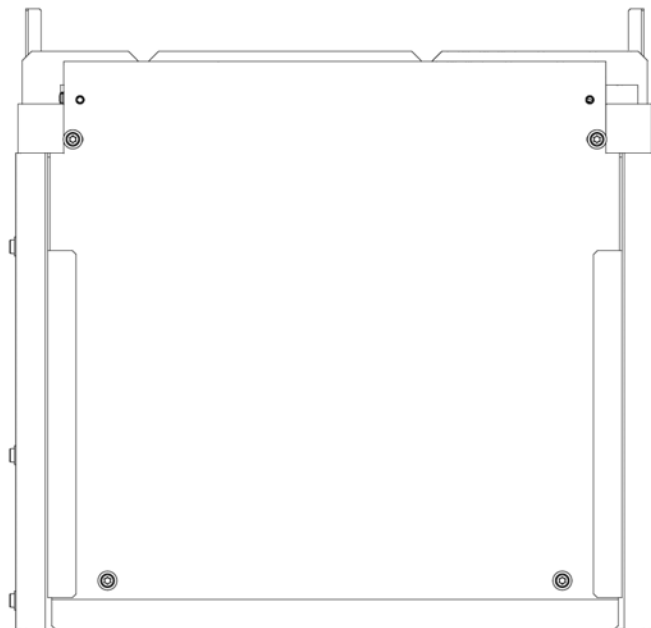




SP Extension Housing Installation Notes

Introduction

SP Extension Housing allows greater flexibility of wiring into and out of the SP PRO. Additional control components may be mounted inside the Extension Housing on the included DIN rail. The expansion housing allows for rear cable entry as well as bottom entry.



Note: This document needs to be read in conjunction with the SP PRO Instruction Manual

Installation

The SP PRO unit is installed as per the installation instructions in the user manual.

Additional instructions are listed below against each step.

Step 4

Allow an extra 300mm below the SP PRO to accommodate the expansion housing.

Step 6

Remove gland plate and fan assembly as shown. The gland plate is replaced by the expansion housing. The fan and fan filter are re-used in the expansion housing.

Retain two side screws and loosen internal screws for re-use retaining expansion housing.

Complete following steps before continuing with SP PRO installation.

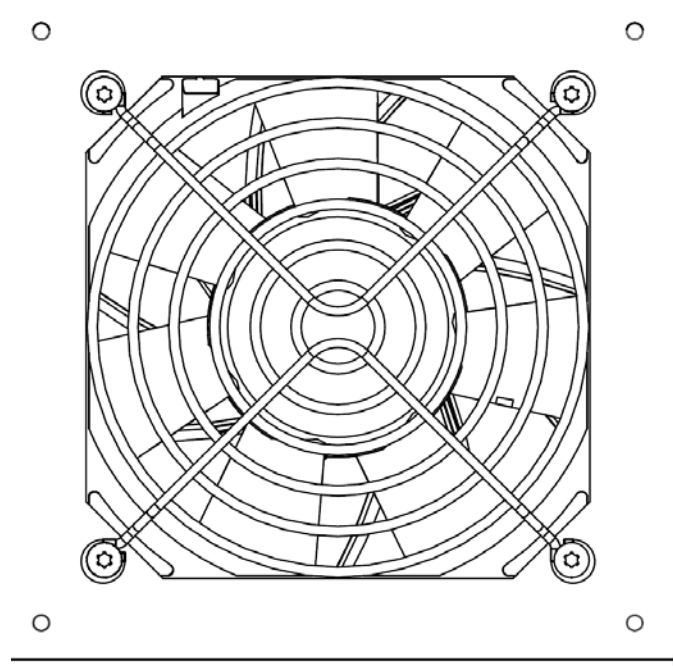
SP PLUS Installation Notes



Fan Refit

The fan and fan filter supplied with the SP PRO need to be re-fitted onto the extension housing.

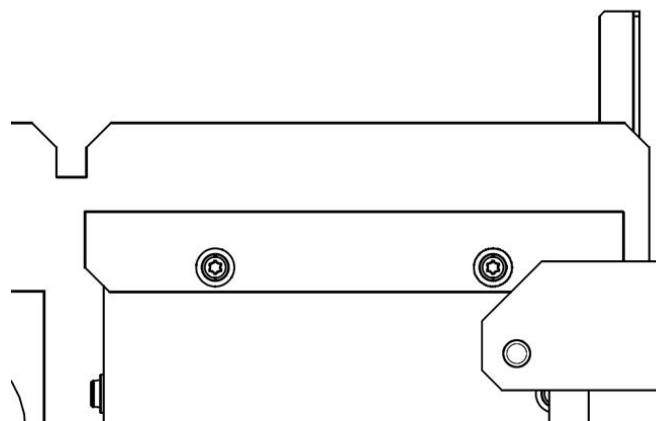
Remove and retain the fan filter and four fan thumb nuts from the gland plate.



SP PRO Gland Plate Showing Fan Guard and screws – Fan filter not shown.

Undo and retain the four fan screws and fan from the gland plate. The fan guard is not required.

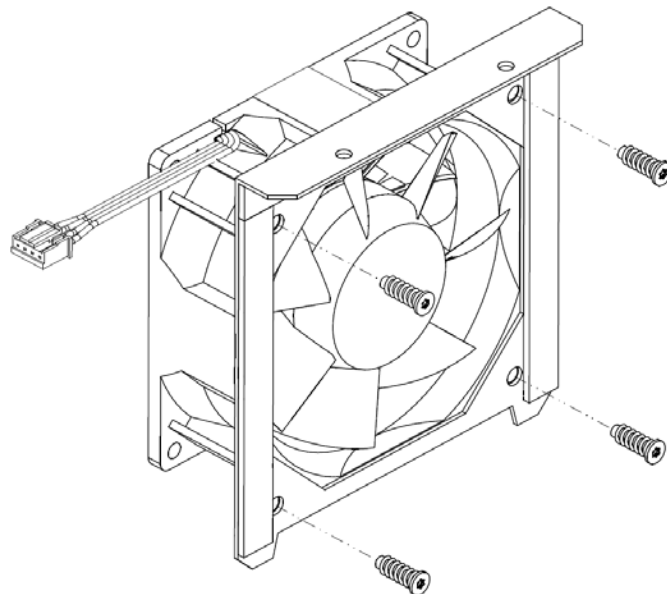
Undo and retain four screws of the front cover of Expansion Housing. Disconnect the front cover Earth wire and remove front cover.



Extension Housing Fan Mounting Plate

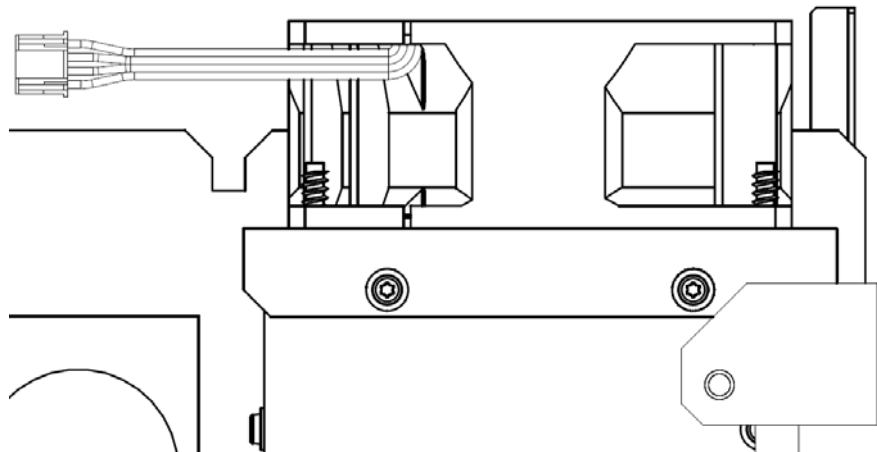
Locate Extension Housing Fan mounting plate. Undo two retaining screws and remove plate.

SP PLUS Installation Notes



Fan mounting showing correct orientation – rotor visible

Fit fan to mounting plate as shown taking care to observe correct fan orientation and cable position.



Fan assembly mounted into Extension Housing

Re-fit Fan Mounting plate into Expansion Housing.

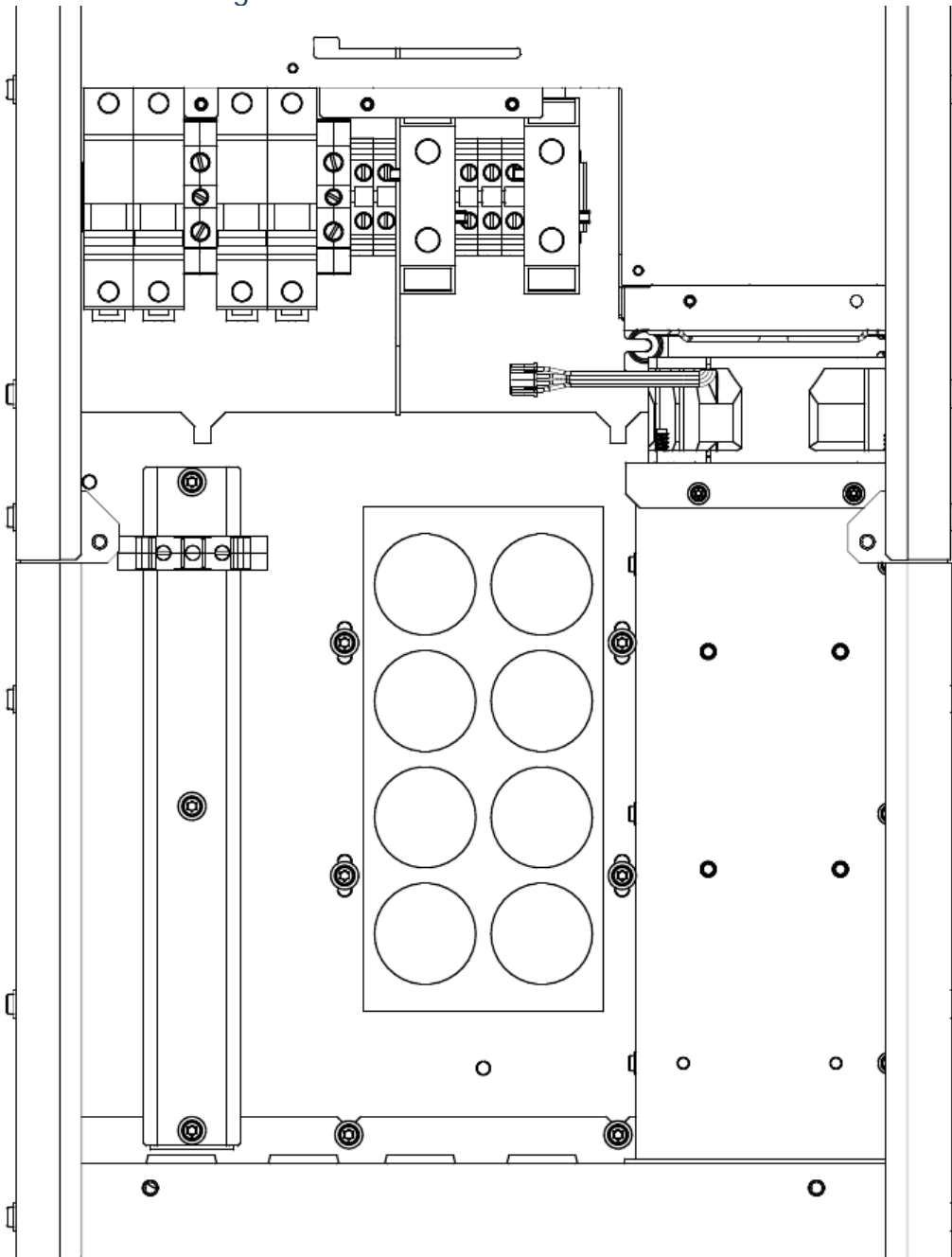
Re-fit Fan Filter to bottom of expansion housing.

SP PLUS Installation Notes



Install Expansion Housing to SP PRO

Slide top flanges underneath the SP PRO base plate and guide the sides inside the SP PRO cover. The Expansion housing may require to be tipped up slightly to allow the top flange to slide into the internal retaining screws.



Extension Housing mounted to bottom of SP PRO. Picture shows rear cable entry gland plate and DIN rail for additional equipment.

Tighten the internal screws and re-fit the two side screws to secure the Expansion Housing to the SP PRO.

SP PLUS Installation Notes



... continue SP PRO Installation

The SP PRO unit is installed as per the installation instructions in the user manual.

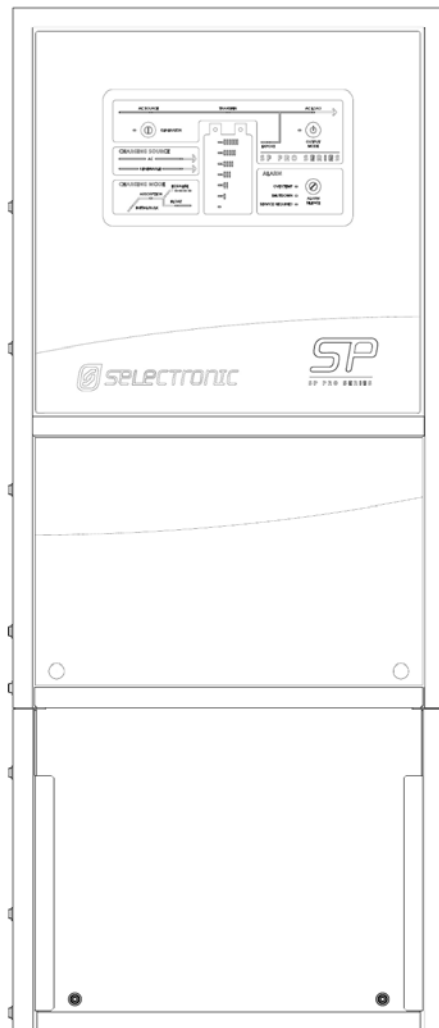
Additional instructions are listed below against each step.

Step 7

Connect expansion housing earth wire into SP PRO earth terminal.

Step 8

Once all wiring is completed, connect the front cover Earth wire and refit the expansion housing cover using four screws. SP PRO cover plate removed prior to installation can be refitted and will now secure to the expansion housing front cover.



Additional Information

SP PRO web site – <http://www.sppro.com.au> or contact the Selectronic Sales Team.

+61 3 9727 6600
www.selectronic.com.au